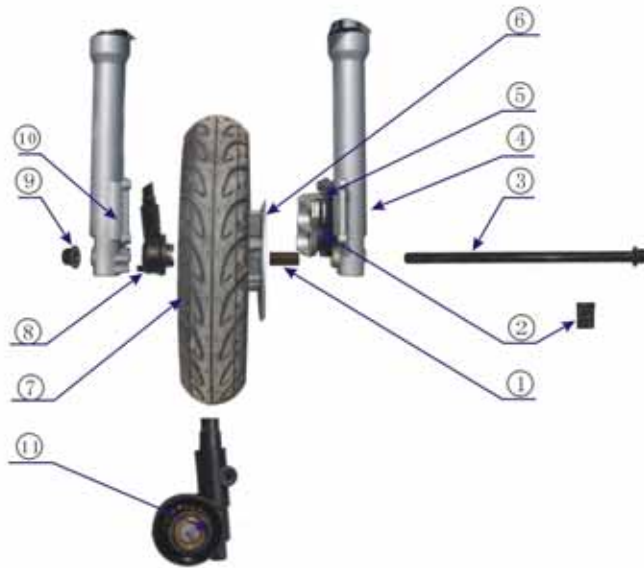


BAHAMA-50
INSTRUCTION OF THE INSTALLATION



INSTALL FRONT WHEEL (ONE)



Description	Quantity	Specification	Remark	Instal point
① FR Wheel Bush	1	∅10.5×∅ 23×21	through ③	
② Disc Pad	1		block into ⑤	
③ FR wheel Axle	1	M10×198	fix on the iron frame packing	
④ Left shock absorber	1		On the motorcycle	
⑤ Front disc brake	1		fix on ④	
⑥ Disc	1		fix on the FR wheel of ⑦	
⑦ Fr Wheel	1		in carton	
⑧ Speedometer Gear	1		On the motorcycle	
⑨ M14 Nut	1	M14×1.25	fix on the FR wheel axle ③	13, 5b1f
⑩ Right shock absorber	1		On the motorcycle	

Install step:

1. Take out ①, ③ and ⑨ from the iron frame packing
2. put ① into ⑦ and through middle of ⑦'s hole
3. connect ④, ①, ⑦, ⑧, ⑩ by ③ and fasten by ⑨

Attention:

1. take away ② from ⑤, and block ⑥ into ⑤.
2. ① which is in ⑧ must be put into the middle slot of ⑦.
3. ⑩ must be locked in the slot of ⑧, referring the drawing.
4. runing the front wheel clockwise to check whether it can be moved freely after installation, and to check whether the speedometer working properly

INSTALL HANDLEBAR (TWO)



Description	Quantity	Specification	Remark	Detail power
① Steering handle	1		On the motorcycle	
② steering pole	1		On the motorcycle	
③ Nut M14	1	M14×1.25	fix on handlebar ①	20b1f
④ Bolt M10*55	1		fix on handlebar ①	
⑤ The way of assembly	1		On the motorcycle	

Install step:

- 1、take down ③ ④ from the handlebar.
- 2、Put ① on ② according drawing's ⑤, notice outside of steering pole have guide track, and inside of steering handle have slot, insert against the guide track.
- 3、connect ①, ② by ④, and fasten by ③

Attention:

- 1、connect ①, ② by ④, ④ through ②
- 2、After installation, lift up the steering handle, check and sure without any gap.

INSTALL FRONT COVER (THREE)



Description	Quantity	Specification	Remark
① Body	1		On Motorcycle
② Self-tapped Screw	2	ST4. 2×12	In sundries box
③ Front cover	1		On Motorcycle
④ M6×20	1		In sundries box
⑤ FR side	1		In sundries box
⑥ Self-tapped Screw	2	ST4. 2×12	In sundries box

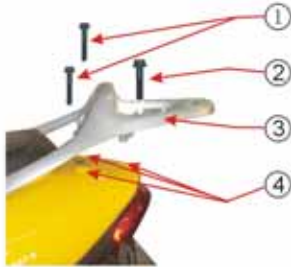
Install step:

- 1, refer drawing, Put ③ on ①
- 2, fasten ① ③ by ② ④
- 3, fasten ① ⑤ by ⑥

Attention:

- 1, Put ③ into ① as drawing, ③ must insert ①'s slot.
Pay attention to the clip of ③, and make sure all clips insert ①'s slot, then push up ③, make sure the connection with ① very well.
- 2, fasten ① ⑤ by ⑥, and insert ①'s side into ⑤ slot.

INSTALL LUGGAGE CARRIER(FOUR)



	Description	Quantity	Specification	Place
①	Bolt	2	M8×45	On Motorcycle
②	Bolt	1	M8×38	On Motorcycle
③	Luggage carrier	1		Fix in iron fram packing
④	Body			

1、 connect ③ ,④ by ① , ② , and fasten them.

INSTALL REARVIEW MIRROR (FIVE)



	Description	Quantity	Specification	Remark	Torque
⑤	Rearview mirror	2		In sundries box	
⑥	front of motorcycle	1		On motorcycle	

1、 Fix ⑤ on ⑥ , by ⑤ ' s screw , before to lock , adjusting the point view of rearview mirror .

INSTALL BATTERY(SIX)



Description	Quantity	Specification	Remark
① battery sealed strip	1		In sundries box
② Electrolyte	1		In sundries box
③ Battery	1	12V7h	In sundries box
④ Battery line	1		On motorcycle
⑤ Battery Bolt	2		In sundries box
⑥ Battery Nut	2		In sundries box
⑦ Battery Cover Screw	1		On motorcycle
⑧ Battery Cover	1		In sundries box

Install step:

- 1、inject ② into ③, refer the instruction of battery then cover ①。
- 2、Put ③ into battery box , connect electrode ④ by ⑤ and ⑥ fasten them 。
- 3、Take down ⑦ from vehicle , cover ⑧ and tighen by ⑦ 。

Attention: When you connect the electrode ④ make sure red line connect

with "⊕" anode , and green line connect with "⊖" cathode 。
After installing battery, and inject electrolyte, then leave it for for thirty minutes, then charge it.